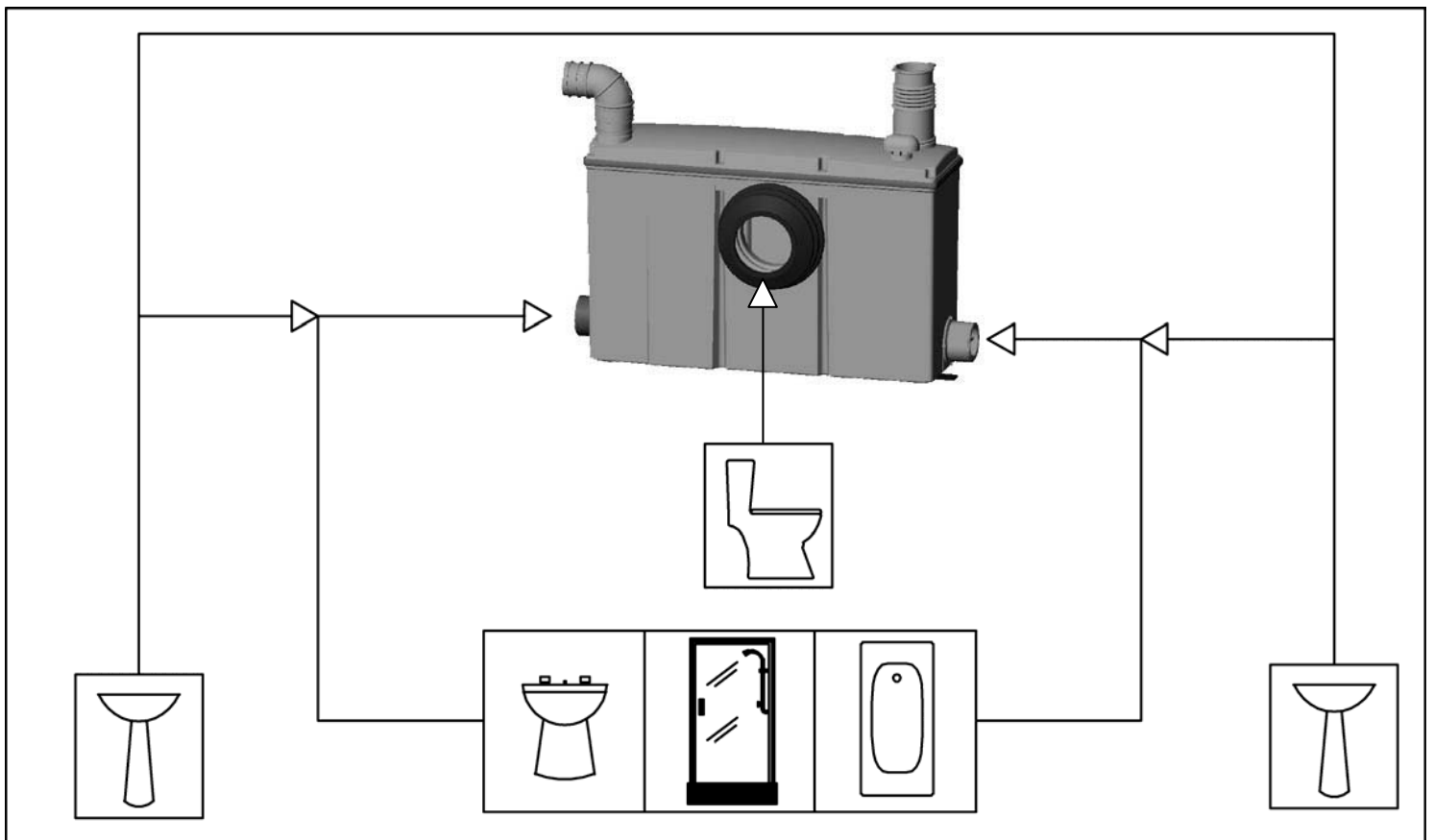


WATERGENIE

Install a Toilet or Bathroom anywhere you like
Installation and Maintenance Instructions



Read carefully before installing Watergenie; retain this Instruction Book for future reference

This product must be installed in accordance with local plumbing codes.

This product must be installed by a licensed plumber.

Dear Customer,

Thank you for purchasing a Watergenie macerating toilet system. We are confident that this product will give you the satisfaction that you expect from the world leader in macerating systems.

Please note that unlike other systems, our product has been certified by an independent certifying laboratory to both US and Canadian plumbing and electrical standards according to the applicable macerating standard.

The product carries a limited two-year warranty against faulty workmanship or components of the macerating pump unit. This Installation Instruction is divided in two parts; GENERAL and INSTALLATION. Before commencing with the installation please carefully read the installation instructions before you begin.

Attached to this Installation Instruction you will find a warranty registration card and a questionnaire, please fill out both and return it to us so that we will learn more about who is using the product and improve our customer service even further. Please note that this information is for own use and will not be sold or otherwise made public.

In the event of a warranty claim, non-registered claimants will have to provide proof of purchase to verify your warranty claim, thus delaying possibly repairs.

Thank you for your confidence in our products, which we are sure, will provide complete satisfaction.

Sincerely Yours,

WATERGENIE

Note: In the unfortunate event that a repair is necessary, please contact us first and contact your installer or reseller second. There are many cases of delays because your complaint is not forwarded in time.

Index

1	General	Page 4
2	Installation Caution	Page 4
3	Breather Opening	Page 4
4	Drain Inlets	Page 4
5	Connection to Soil Stack	Page 5
6	Bathtub	Page 5
7	Shower Stall	Page 5
8	Normal Operating Cycle	Page 5
9	Cautionary Notes	Page 6
10	Installation	
	a. Preparing the macerator	Page 6
	b. Venting	Page 7
	c. Lateral inlet connection	Page 7
	d. System assembly	Page 7
	i. Placement of system	Page 7
	ii. Toilet connection	Page 8
11	Connection of Discharge Pipe	Page 8
12	Connection to the Soil Stack	Page 9
13	Connection of the Water Supply	Page 9
14	Connection of the Electrical Supply	Page 9
15	Activation	Page 9
16	Additional Fixtures	Page 10
17	Servicing	Page 10
18	Return and Repair of the Macerating/Pump unit	Page 10
19	Performance	Page 11
20	Do's and Don'ts	Page 12
21	Trouble Shooting and Service Notes	Page 13
22	Instructions to check out the Motor	Page 14
23	Limited Warranty	Page 15
24	Measurements	Page 16
25	Spare Parts Glossary	Page 16
26	Exploded Drawing	Page 17
27	Customer Registration Card USA	Page 18
28	Customer Registration Card Canada	Page 19
29	Customer Details	Page 20

1 General

The Watergenie macerating system can simultaneously receive wastewater from several sanitary fixtures, e.g. hand basin, shower, bathtub, urinal, but only one water closet per unit. Macerating systems are designed for the disposal of human waste, toilet paper and water. They are not intended to replace kitchen waste or sanitary waste disposal units, neither are they intended to be used for the disposal of waste water from such pumped appliances as dishwashers and clothes washers. Sanitary fixtures connected to the macerating system must be located on the same level.

The macerating system is a residential grinder and pumping system for toilet and bathroom fixtures. The macerator pump unit connects to the outlet of a “spigot outlet” toilet. The system is comprised of three major components: the macerator unit, the toilet bowl and the toilet tank. The macerator unit also consists of three major parts: the container that houses the operating mechanism; a pressure switch which automatically activates and deactivates; the induction motor that drives the motor and the shredder / impeller (below the motor.)

Tool Usage

You need the following tools;

- hacksaw,
- 7 mm (9/32) nut driver or socket for a ¼-inch drive,
- pump pliers,
- hammer drill,
- 5/16 masonry drill bit,
- hammer,
- soldering gun,
- solder,
- flux,
- sand paper,

(Depending on the material of the plastic pipe, you may need PVC, CPVC or ABS primer and glue.

2 Installation Caution

The installation is simple, and yet caution needs to be taken as local electrical and plumbing codes need to be carefully followed. This manual guides you through the installation process however due to various unknowns and level of competency of the installer we cannot guarantee the installation. The most difficult connection is the installation of the TY into the 3-inch soil stack or a 3-inch sewer pipe. If at any moment you feel not comfortable with the installation you should ask for a licensed trade person to do the install for you.

3 Breather opening (#23 on page 15)

Europe. The macerating pump unit is factory equipped with an air pressure-equalizing opening in the lid; this opening is necessary to equalize air pressure in and outside of the macerating pump unit when water is rushing in or when water is pumped out.

North America. Please note that the macerator needs to be vented and therefore the breather opening should be blocked off for use in North America. A push-in plug has been provided. (See Venting Instructions for North American Installations.)

4 Drain inlets (#6 on page 15)

The macerating pump unit is equipped with two additional 1 ½" inlets, one on either side of the case. These inlets, which incorporate an internal check valve, are used to connect the drainpipe of other sanitary fixtures to the macerating pump unit.

5 Connection to the soil-stack or sewer.

- **Slope.** The macerating system will pump up to 12 feet vertically, with a ¼" per foot gravity fall (*minimum*) constantly throughout the horizontal run to the point of discharge. If you require a vertical lift it should precede any "horizontal" run and should commence as near as possible to the discharge elbow. Once you have started the horizontal run, you may not change directions in an upward manner. The above given vertical and horizontal distances are both maximums, when combining, please consult the "Performance", page 13.
- **Pressure Drop.** If you wish the unit to pump vertically and horizontally you may calculate that 3 feet of vertical lift is equivalent to 30 feet of "horizontal" run. Each bend or change of direction gives a pressure drop, which must be deducted from the discharge performance figures in accordance with the usual head loss practice. (*Rough guide: reduce maximum horizontal pumping distance by 3 feet of run for every bend*).
- **Pipe Material.** The discharge pipe work can be made from ¾" diameter material. Copper (*Type M*), CPVC or PVC. The open end of the PVC hose accepts any of these three materials and the gear clamp secures the assembly as shown on Page 17. Use long turn bends and not elbows, elbows are not normally available in plastic piping, use two 45° pieces back to back to make a 90° elbow. The connection to the soil-stack or sewer pipe should be made with an approved Wye fitting. When in doubt about this procedure please have a plumbing contractor install this for you.

Note: *The Watergenie system will be able to handle either a shower or a bathtub.*

6 Bathtub

Any regular bathtub can be used, as only the drainpipe connects to the macerating unit. When installing a bathtub, one should build a platform out of 2 x 6 (or 8-inch) lumber, on which the tub is placed. This gives enough space for a p-trap and slope toward the wastewater inlets. (See note 1 & 2).

7 Shower Stall

When installing a shower a raised shower base may be purchased. This eliminates the building of a platform. Contact WATERGENIE for details. Alternatively, you may want to purchase a regular shower and also build a platform for it. Most plumbing codes require a 2-inch drain pipe from the shower. Some jurisdictions allow the shower drain to be bushed down to 1 ½-inch pipe, and some jurisdictions require the entire drain pipe to be run in 2-inch pipe and bush down at the point of connection to the macerator.

Note:

Platform height. The actual distance between the p-trap of the additional fixture and macerating pump determines the necessary clearance to install the p-trap and elevation required to ensure a minimum gravity flow of ¼-inch per foot.

8 Normal operating cycle

As the flush is operated or as the bath, shower and lavatory discharges, the water and waste matter enter the unit and the water level begins to rise, triggering the micro-pressure switch. This in turn activates the motor and pump. The shredder / impeller rotates at 3600 RPM. The shredded matter is picked up by the shredder / impeller and discharged through a ¾" outlet pipe to a sanitary sewer or soil stack. **Note. Please do not increase the discharge pipe size. The product requires some back pressure in order to shred the waste properly.**

Safety note : *For safety the macerating unit should never be activated with the lid removed.*

Connect only to receptacle protected by a ground fault circuit.

Warning: risk of electric shock – This pump is supplied with a grounding conductor and grounding type attachment plug. To reduce the risk of electrical shock be certain that it is connected only to a properly grounded-type receptacle.

9 Cautionary notes

The macerating system is not designed for the disposal of sanitary napkins, tampons, condoms, and kitchen waste, disposable diapers, dental floss or paper towels. It should only be used for human waste and toilet paper. Disregarding the above might damage the macerating unit and shall void your warranty.

Do not dispose of acids, solvents, oils, paint, paint strippers, food waste, cotton swabs, plastic bags, kitty litter or anything that could halt or damage or corrode the unit. It is recommended to use a good brand of toilet cleaner to clean the toilet system.

Do not hang bleach blocks or hydrochloride cleaners in the toilet tank. These solutions have been shown to deteriorate the plastic and neoprene components of the flush and fill valves, and may cause leaks. In the event of a power loss do not use the toilet or any other sanitary fixture connected to the macerating unit since it will not work until the power is restored.

10 INSTALLATION

10a STEP 1. PREPARING THE MACERATOR

Installing the bowl gasket (see fig. 1):

1. Insert the sleeve joint (V) into the toilet connector (M).
2. Grease the toilet connector where it will meet the case with soap.
3. Insert sleeve joint into opening and turn assembly by giving a clockwise quarter twist to lock.

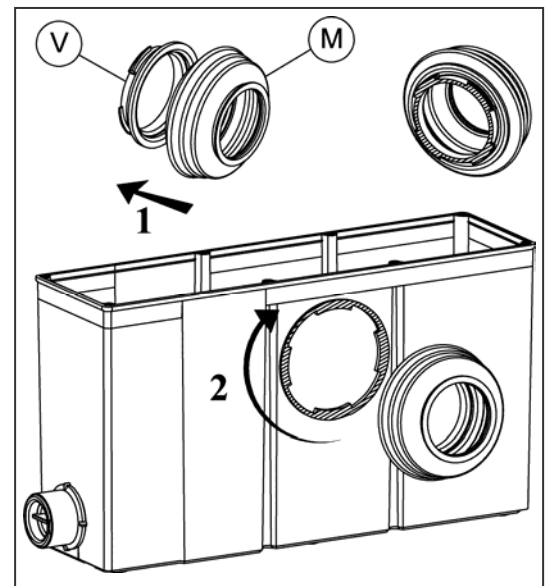


Figure 1

10b STEP 2. VENTING

It is important that the macerating box is vented, as well as all p-traps of fixtures that are connected to the macerator. This is a requirement by local plumbing codes. Please see drawing on page 15.

Located on the top right hand side is a vent connection.

1. Cut the top of the tapping (see fig. 2) with a saw and remove the burrs.
2. Slip the accordion connector (B) (1 ½ x 1 ½ inch) over the tapping and secure with a gear clamp (C).
3. Same for the vent pipe.

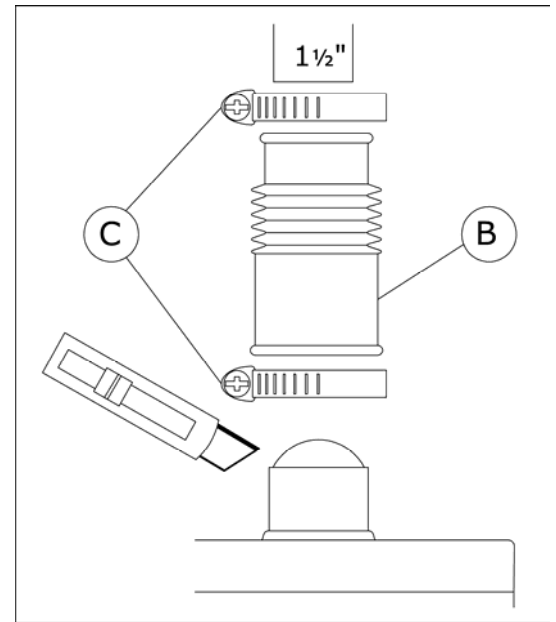


Figure 2

10c STEP 3. LATERAL INLET CONNECTION

To connect a shower, bathtub or hand basin to the lateral inlets, you can use the either side to drain the waste water into. They are provided with blind caps to prevent water from draining out.

1. Remove the blind cap. (SEE FIG. 3)
2. Slip the rubber connector over the collar and clamp.
3. Put the 1 ½-inch drainpipe in the connector and clamp.
4. Tighten gear clamps.

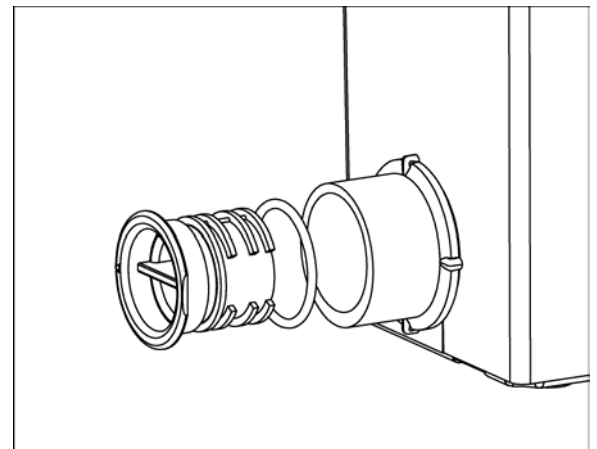


Figure 3

10d STEP 4 SYSTEM ASSEMBLY

i Placement of System

1. Place the macerating pump unit on the desired spot and connect all inlet and outlet waste piping to the unit. (See Connection to discharge pipe work).
2. Place the spigot outlet of the toilet bowl firmly against the toilet connector and mark the floor through the holes in the bowl.
3. Remove bowl and bore two holes approximately 2 ¼" deep with a 5/16" masonry drill bit. Insert plastic plugs into holes. If the floor is wood, bore a pilot hole with a ¼" drill bit.

ii Toilet connection (see fig. 4):

The flexible sleeve is to be connected to spigot of a horizontal outlet toilet called the Saniflush.

1. Slip the large stainless steel gear clamp over the toilet spigot.
2. Lightly grease the bowl spigot with liquid soap.
3. Pull the flexible sleeve over the bowl spigot.
4. Place the stainless steel clamp over the rubber connector.
5. Tighten gear clamp.
6. Move the bowl over the holes in floor. Slip the plastic china protectors over the lag screws. Tighten lag screws (do not over tighten) and snap plastic cover caps in place.
7. Locate the tank to bowl kit and place foam gasket on the spud and nut of the flush valve. Place tank on top of the bowl. Insert screws and gasket through the tank and tighten nuts underneath. Do not over tighten.

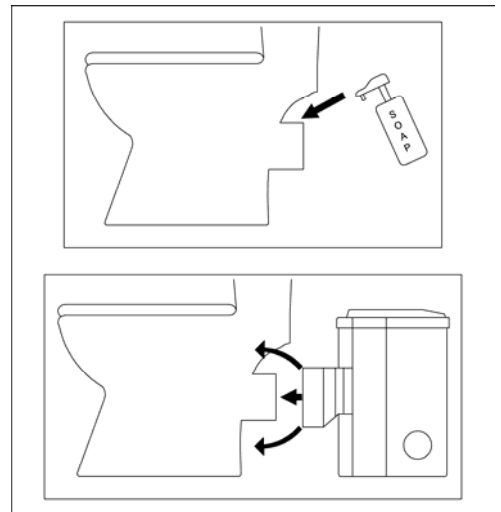


Figure 4

11 STEP 5. CONNECTION TO DISCHARGE PIPE (SEE Fig. 5):

To connect the unit to the discharge pipe:

1. Insert the elbow/non-return valve (drawing A), and turn it clockwise to the direction required.
2. Then, position it with a gear clamp (drawing C) on the unit's discharge pipe,
3. The discharge pipe is $\text{Ø } \frac{3}{4}$ -inch.

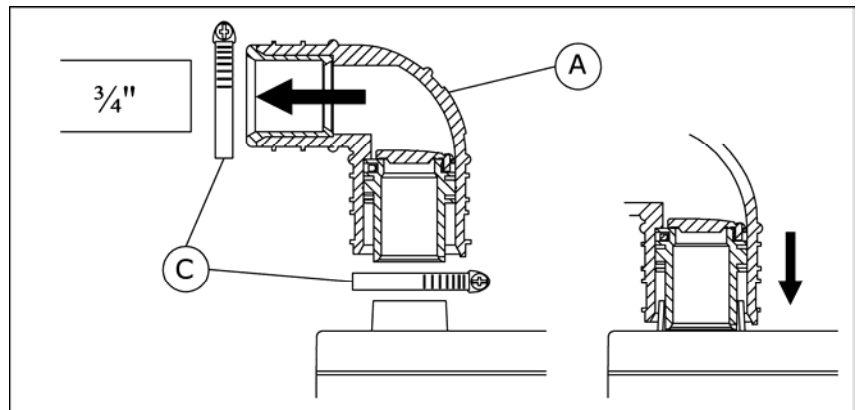


Figure 5

NOTE:

PVC Schedule 40, has a thicker wall thickness than either copper pipe or CPVC pipe. The discharge elbow is supplied with a removable insert. For the smaller CPVC pipe leave the insert, for the larger PVC pipe remove the insert. Tighten down with a gear clamp.

12 STEP 6. CONNECTION TO THE SOIL STACK. (See Fig. 6):

Discharge Pipe (*copper, cast iron, PVC, ABS*)

1. Install an appropriate Wye fitting into the sewer pipe, (with a 1 ½" branch hub.). Read point 3 first if using a copper Wye. Glue a bushing, ((spigot x FPT) 1 ½" x ¾") into the 1 ½" hub of the Y fitting.
2. Screw male adapter, ((MPT x Hub) ¾" x ¾" sweat) into the bushing, when discharge piping is in copper buy brass adapter, when in CPVC buy CPVC adapter.
3. When in copper; solder a length of pipe to the male adapter first, allow cooling, and then screwing assembly into female bushing into the branch socket. When soldering pipe systems together, wind a wet rag around the plastic to keep it cool. Maintain at least a distance of 6" between the plastic and the piece soldered. Use Teflon tape or 100% Teflon dope on male thread. Any other dope product will deteriorate plastic material.
4. When using CPVC material; use CPVC glue to glue the CPVC pipe into the ABS fitting.
Caution: Do not use ABS glue on CPVC materials, as the plastic will not bond.

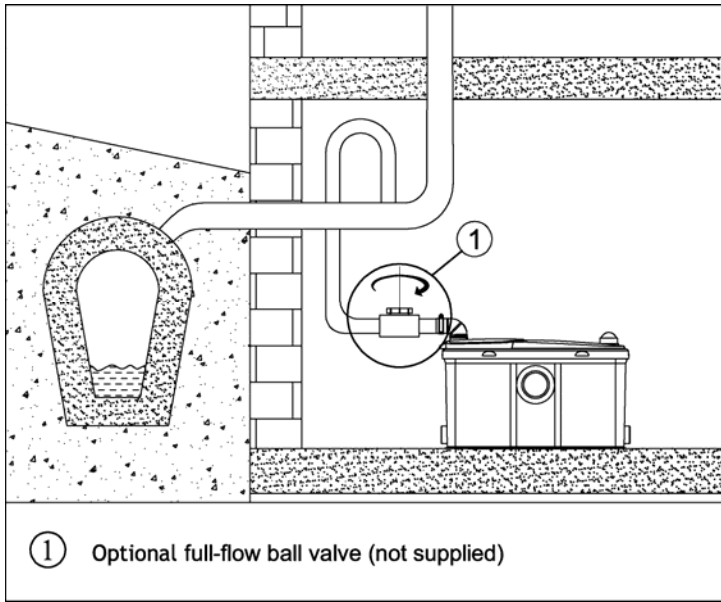


Figure 6

13 STEP 7. CONNECTION OF THE WATER SUPPLY

Connect the water supply hose to the fill valve.

14 STEP 8. CONNECTION OF THE ELECTRICAL SUPPLY

All wiring should be in accordance with the applicable electrical code in your territory. The macerating system requires a single-phase 120-volt, 15 Amp supply. When installed in a bathroom, the receptacle should be 40 inches away (in a straight line) from a shower or bathtub. Connect only to receptacle protected by a ground fault circuit interrupter.

15 STEP 9. ACTIVATION

1. Ensure that the toilet is free of building debris prior to activating.
2. Open the shut-off valve and let the tank fill up.
3. Ensure power supply is on.
4. Flush several times with intervals in between depositing a few sheets of toilet paper into the bowl to check discharge piping. There should be no paper remaining in the bowl after each flush.

Usage

The toilet works as a conventional flushing toilet and needs no maintenance in normal use. However, there is nothing wrong with cleaning out the macerating pump unit once a year. (Be careful not to let water enter the electrical chamber).

The macerating system starts automatically once the toilet is flushed or the bath, shower, hand basin, etc. discharges and ceases operation once the contents have been pumped away.

WARNING

There must be no leak of water into the unit even a slow leak entry of water from a faucet, will cause intermittent activation of the unit and may overheat the motor and eventually cut out on thermal overload.

16 STEP 10. ADDITIONAL FIXTURES

A shower or bathtub is connected by means of a drain pipe to one of the side inlets of the macerator. In both cases you will need to build a sub floor out of 2 x 6 or 2 x 8 lumber. It is advisable to enlarge the sub floor in front of the shower door otherwise the step might be too large. Note that all p-traps need to be vented. The connection to the macerating unit is by means of an ABS or PVC pipe.

17 SERVICING

As the unit is connected to the water and electrical supply, it is important to check that the following actions have been taken before removing the unit :

1. If possible, flush the tank and close off the water supply to the tank and close the ball or gate valve on the outlet pipe.
2. Pull the electrical cord out of the receptacle before removing unit.
3. Empty out as much water in the bowl of the toilet as possible.
4. Disconnect toilet from unit. Remove toilet bowl and set aside against a wall to prevent from tipping over.
5. The use of a dry/wet type vacuum cleaner might assist you greatly in removing the residual water in the bowl or macerating unit.
6. When you have to remove the macerating unit, carefully disconnect the inlet drainpipes, (there might be residual water inside).

If you need to open the macerating unit, remove the screws from the lid and pull up. In some cases the lid might be stuck to the case very tightly, (during assembly soapy water is used which dries up in time).

Whenever the unit will not be used for long periods of time (vacation, power failure, maintenance, etc.) turn off the water supply to the tank and flush the unit to evacuate the water. No leakage into the bowl should ever be permitted from the tank.

In areas, which are prone to freezing, the total system must be properly winterized. This includes the draining of all pipes, the toilet tank and bowl and the macerating tank. The macerating system is simple to winterize. Pour a jug of plumbers' anti-freeze into the tank and flush the toilet. This will cause the macerating unit to activate and all remaining water will be replaced by plumber's anti-freeze. No parts or labour are warranted when a breakdown occurs due to freezing.

18 Return and repair of the macerating/pump unit

In the event that the unit needs to be returned for service, refer first to the trouble-shooting guide. If these solutions do not work, please call out toll free service number at 800-363-5874 for possible further options, or to inquire about an authorized repair shop in your area. When you are required to return the macerator unit to the manufacturer, please ensure that prior to shipping, the unit has been cleaned and disinfected inside and outside. A labour charge will be in effect for cleaning. Before returning any unit, a return authorization is needed from the manufacturer. Units returned without prior RGA number will be refused.

Do not immerse unit totally in water. Do not let water enter the electrical chamber.

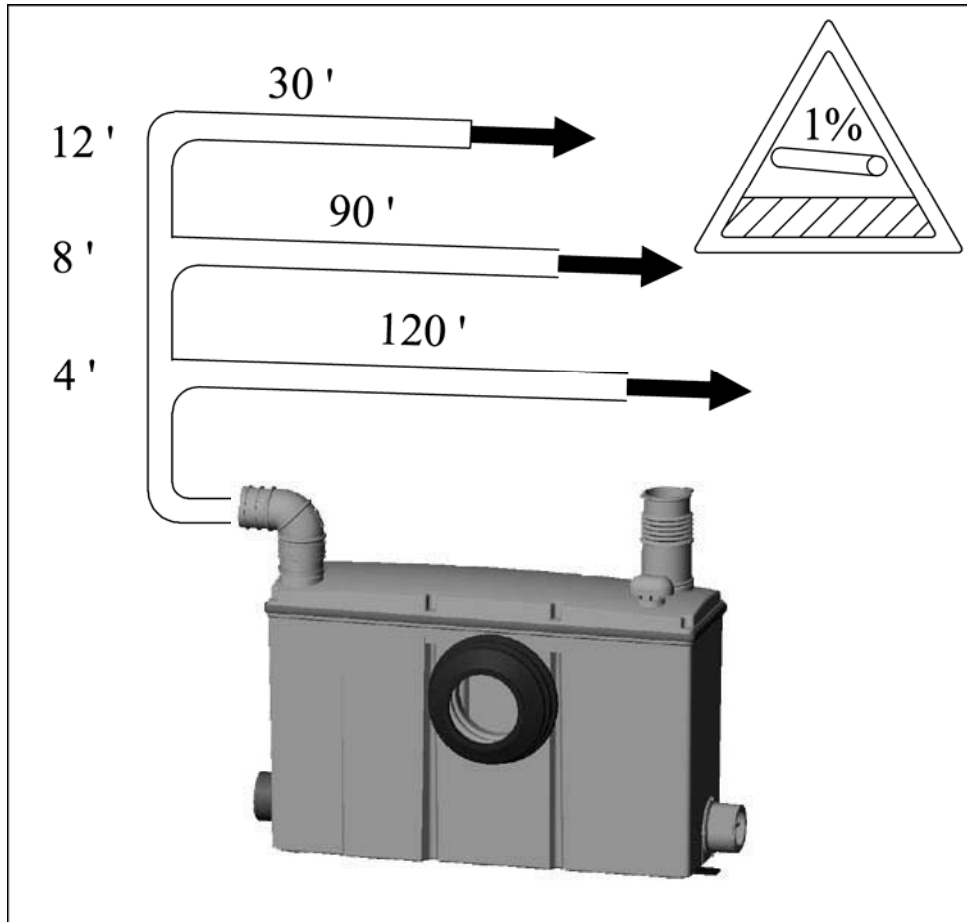
If you return the Watergenie macerating unit in its original packaging, please remove the discharge elbow.

If you return the macerating unit in another (larger) box, there is no need to remove the discharge elbow. Please package the macerating unit properly with adequate shock absorbent material around it.

Send this package prepaid to the manufacturer, making sure to insure against loss and/or transit damage, (the amount of \$300.00 will suffice).

If any repairs are done outside the warranty period, or when the user has damaged the macerating unit, you will be apprised of repair costs. All repair work will be conducted on a pre-paid basis only.

19 PERFORMANCE



Performance

For every three feet of vertical distance, deduct 30 feet of horizontal distance. Or increase pipe size in the horizontal plane. Discharge suggestion for long distances; after the vertical riser, increase the diameter of the horizontal pipe to 1 1/2" or larger for drainage by gravity.

When claiming a warranty repair we will need the information you have written down below. Please ensure that you have all particulars available when requesting warranty work.

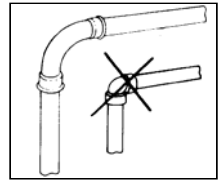
Friction Loss note :

Elbows will create a friction loss (roughly 20 inches per elbow) any elbow installed will need to be deducted from the horizontal pumping distance.

20 Do's and Don'ts

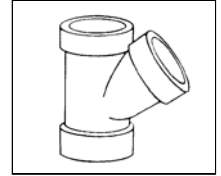
Bends

Where possible long sweeping bends should be used. Do not use short elbows. If 90° long sweeping elbows are not available use two 45° elbows to make a 90° turn.



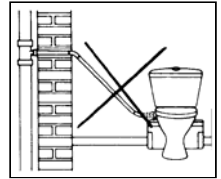
Soil Stack Connection

All discharge pipe work must be connected to the soil stack by an appropriate and approved connection. Wye pattern fitting as shown is preferable.



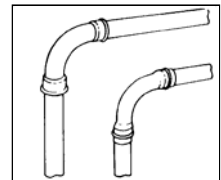
No Diagonal "Uphill" Pipe runs

All discharge pipe work from the unit should run either directly vertical upwards from it or in a horizontal plane (with a small gravity flow) to the point of discharge. Pipe work should not be installed with diagonal upward slope from the unit to the point of discharge.



Pipe work

All pipe work should be either copper PVC or CPVC. (Do not use flexible pipes). Hangers should not be less than four feet apart to prevent pipe rattling.



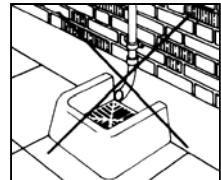
Flushing

Macerating systems requires a minimum of 6 liters of water to operate satisfactorily.



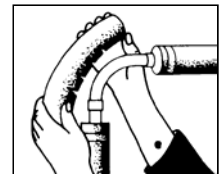
Discharge

Never discharge directly into an open drain, fixture, manhole or rainwater drainpipe. It is illegal for it constitutes a health hazard. Direct connections into sanitary waste systems only, shall be acceptable.



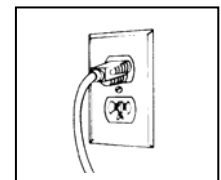
Freezing

Ensure all pipe work susceptible to freezing is adequately insulated or heated. In unheated buildings, the toilet, piping and macerating unit must be properly winterized with "recreation vehicle" anti-freeze or drained completely.



Electricity

Before attempting any maintenance or servicing, the unit must be disconnected from the power source. The macerating system must be connected to a Ground Fault Circuit Interrupter.



21 TROUBLE SHOOTING AND SERVICE NOTES

Problem solving (see also page 11)

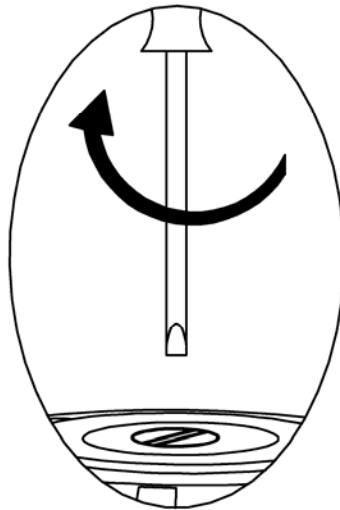
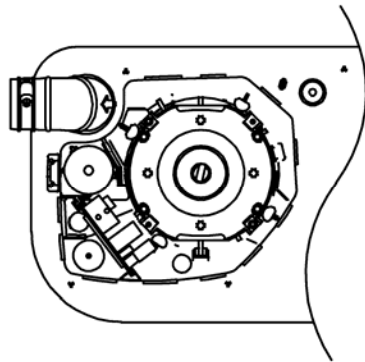
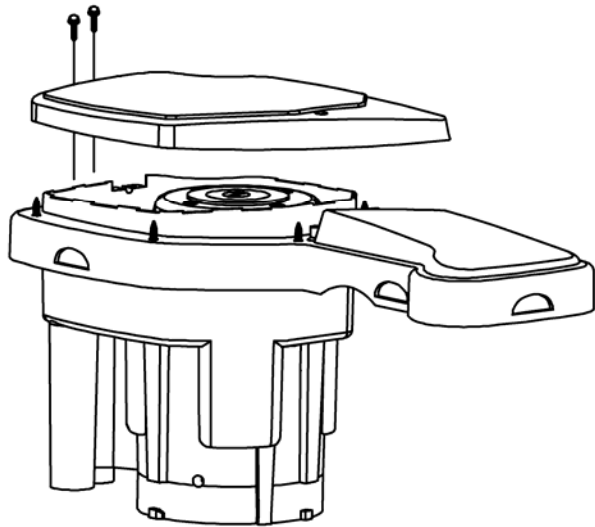
The macerating system is very reliable. With normal use long service is assured. However, in certain cases an incident may occur which you may rectify yourself. Before taking any action check the following points :

1. Plumbing system. Correctness of flush system, water supply turned on.
2. Electrical system. G.F.C.I. breaker on. Receptacle on. Fuse okay. Breaker on. Male plug still in receptacle. Check that the thermal overload has not operated; (wait approximately 20 minutes for unit to reactivate).
3. Hydraulic system. Check that the discharge pipe and breather opening (vent pipe) are not blocked.

If the macerating pump turns on intermittently without the flush having been activated or water having been discharged, check that water out of the toilet tank is not leaking into the bowl. Or, that there is no leakage back into the macerating unit due to incorrect seating of the flapper check valve and/or that the discharge elbow is seated properly. It is normal when the macerating system has not been in use for some time for the motor to turn once or twice after completing the evacuating process. This cleans the flapper check valve.

Trouble Shooting Guide

Symptoms	Probable causes	Remedies
The motor intermittently activates.	<ul style="list-style-type: none"> - The connected sanitary devices are leaking. - The check valve is faulty. 	<ul style="list-style-type: none"> - Check the installation upstream - Clean or replace the check valve
The water in the bowl drains very slowly.	Unit not vented or the vent area is clogged up.	Clear the vent opening and line.
The motor operates normally, but continues to run for a long time.	<ul style="list-style-type: none"> - The length or height of the installation is over the specification, or there are too many bends/elbows. - The pump cover plate is blocked. 	<ul style="list-style-type: none"> - Check the installation - Disconnect, dismantle and clean the pump cover plate.
The motor does not activate.	<ul style="list-style-type: none"> - The electrical power supply is not active. - The plug is defective. - The motor is defective. 	<ul style="list-style-type: none"> - Restore the electrical supply, - Repair the plug - Call a service person to check the motor.
The motor emits a rattling or crunching sound.	<ul style="list-style-type: none"> - Foreign object into the box. 	<ul style="list-style-type: none"> - See _ INSTRUCTIONS to check out the motor
The motor hums, but does not run.	<ul style="list-style-type: none"> - The condenser or the motor is defective. - Foreign object into the box. 	<ul style="list-style-type: none"> - Call a service person. - See _ INSTRUCTIONS to check out the motor



22 INSTRUCTIONS :

To check out the motor :

After disconnection of electricity : (After disconnecting your device, please, wait for some minutes, to allow the condensers to discharge.):

- Unscrew the lid (2 screws)
- Open the lid
- Put a screwdriver onto the motor shast

* If this part of the motor turns, then open the lid and put out the foreign object.

* If not, call the Service Center.

23 Limited Warranty

Warranty period two year from date of purchase Watergenie

Subject to the conditions listed below, **WATERGENIE** (hereinafter called the “Company”) guarantees to repair or at its option replace the product or any component thereof which, in the opinion of the Company, is faulty or below standard as a result of inferior workmanship or materials.

CONDITIONS

The conditions of this guarantee are:

- The product must not have been subjected to misuse, neglect, accident or damaging products.
- The product must have been connected to a single phase 120-volt, 60Hz, electrical supply.
- The alleged fault or defect must be notified to the Company within the warranty period.

PART OR PRODUCT EXCHANGE

The product will be exchanged free of charge, at the original resellers place of business only, upon the following conditions being fulfilled:

- The customer will need a “Return Authorization” number from the manufacturer to validate the exchange.
- The customer must supply a copy of their invoice to validate the request for an exchange.

LIMITATIONS

- Fill and Flush mechanism as per OEM manufacturers’ warranty only.
- Except for factory defects, no warranty on the vitreous china parts.
- This guarantee does not extend to the cost of disconnection and reconnection of the product. (Labour costs)
- This guarantee does not extend to the cost of mail or freight when a part or parts of the system has to be repaired at the factory.
- In no event shall the company be liable for any special, incidental or consequential damage, loss, or
- Injury of whatsoever nature or kind arising from or in connection with the product or any component thereof.
- This guarantee is transferable only when the unit remains at the same premises as where it was installed initially.
- This guarantee does not extend to the installation of the product, as the quality of workmanship is beyond our control.
- The guarantee is transferable only when the product remains at the same premises as where it was installed originally.

Except as set forth in this Limited Warranty, the company disclaims all other warranties, express or implied, with respect to the product or any component thereof including, but not limited to, all implied warranties for merchantability and fitness for a particular purpose.

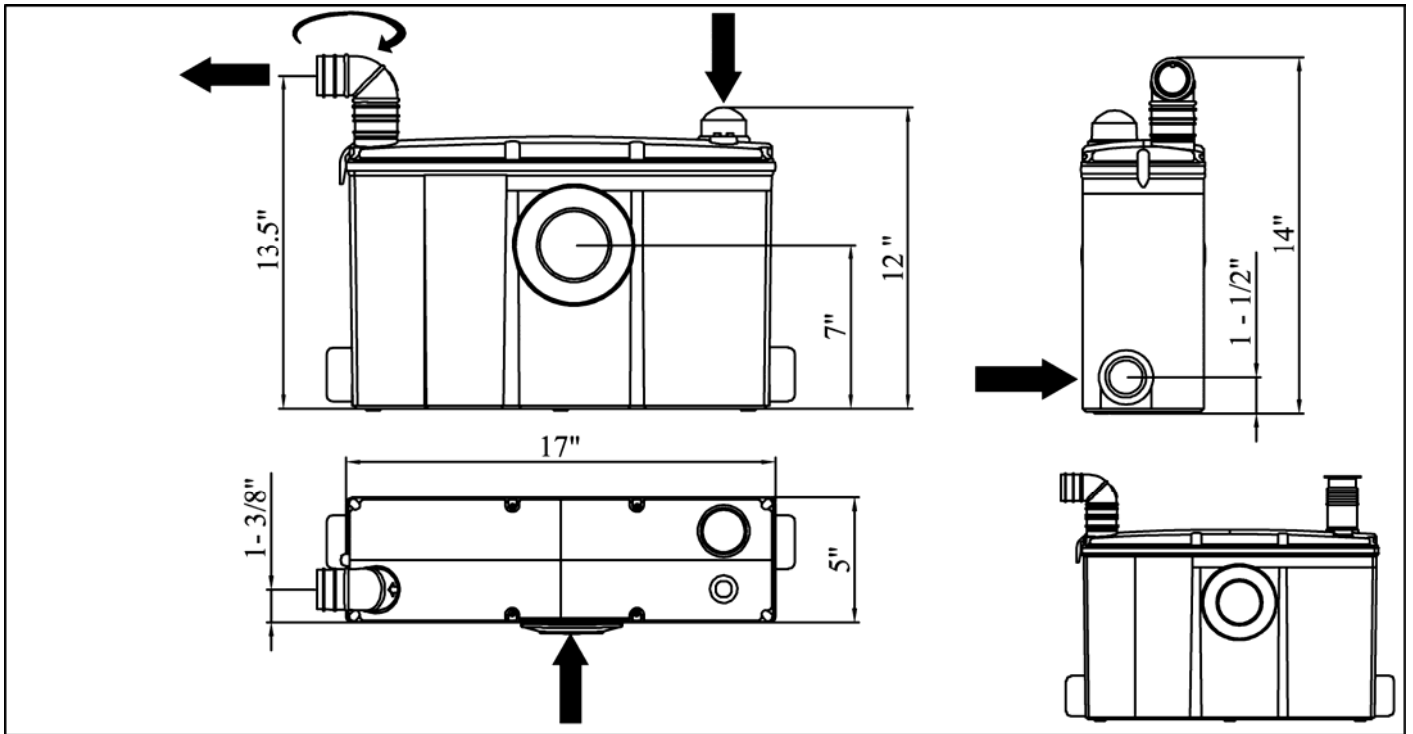
CANADA

Watergenie
1-685 Speedvale Avenue West
Guelph, Ontario N1K 1E6
Phone: 519-824-1134
Fax: 519-824-1143
Email: TECHCA@watergenie.com
Web Site: www.watergenie.com

USA

Watergenie
105 Newfield Avenue, Suite A
Edison, NJ 08837
Phone: 732-225-6070
Fax: 732-225-6072
Email: TECHUS@watergenie.com
Web Site: www.watergenie.com

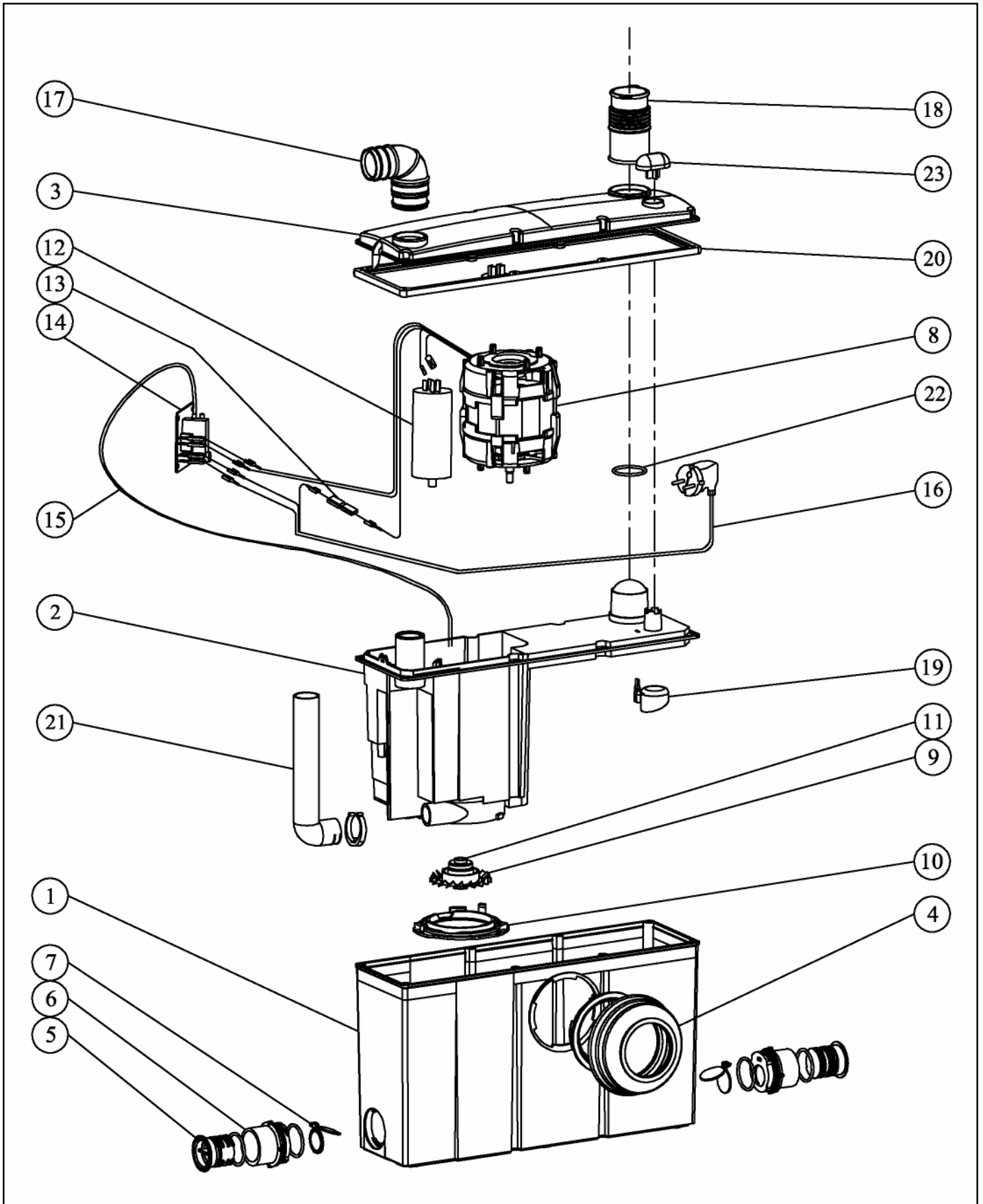
24 MEASUREMENTS



25 SPARE PARTS GLOSSARY

1	Outer case	13	Connector
2	Inner case	14	Circuit board (timer with pressure switch)
3	Lid	15	Air hose (3 x 5)
4	Toilet connector	16	Electrical cord
5	Inlet plug	17	Discharge Elbow / Valve
6	Inlet connector	18	46/46 Connector
7	Swing check	19	Float
8	120V - Motor	20	Gasket lid / case
9	Shredder / Impeller	21	Discharge elbow
10	Pump housing	22	O-ring seal
11	Seal	23	Vent cap
12	45µF Condenser		

26 EXPLODED DRAWING



27 CUSTOMER REGISTRATION CARD

To ensure the validation of the 2-year warranty please complete and return this card within 14 days.

Return this card and you have a chance to win \$200. Check web site at: www.watergenie.com/winner

Name: _____

Address 1: _____

Address 2: _____

City: _____ State _____

Zip Code: _____

Tel: _____ Email: _____

Reason for installation:	What type of building:	The purchase was a result of:	Type of product:	Who installed the product:
<input type="checkbox"/> 3-piece Bathroom	<input type="checkbox"/> Detached	<input type="checkbox"/> Advertisement	<input type="checkbox"/> Saniplus	<input type="checkbox"/> Yourself
<input type="checkbox"/> 4-piece Bathroom	<input type="checkbox"/> Semi-Detached	<input type="checkbox"/> Home or Trade Show	<input type="checkbox"/> Sanicompact 48	<input type="checkbox"/> Handyman <input type="checkbox"/> Friend
<input type="checkbox"/> Powder Room	<input type="checkbox"/> Office	<input type="checkbox"/> Neighbor	<input type="checkbox"/> Sanicompact Elite	<input type="checkbox"/> Plumber <input type="checkbox"/> SFA Installer
<input type="checkbox"/> Kitchen / Laundry Sink	<input type="checkbox"/> Cottage	<input type="checkbox"/> Store Display	<input type="checkbox"/> Sanibest <input type="checkbox"/> Sanipump <input type="checkbox"/> Sanishower	Date of purchase
<input type="checkbox"/> Basement Apartment	<input type="checkbox"/> Garage	<input type="checkbox"/> Word of mouth	<input type="checkbox"/> Sanistar	Area you live in: <input type="checkbox"/> rural <input type="checkbox"/> urban
<input type="checkbox"/> Loft			<input type="checkbox"/> Sanipack	
<input type="checkbox"/> Pool House			<input type="checkbox"/> Sanigrind	

_____ **fold here** _____

Saniflo
105 Newfield Avenue, Suite A
Edison, New Jersey 08837

SANIFLO
105 NEWFIELD AVENUE, SUITE
EDISON, NJ 08837

28 CUSTOMER REGISTRATION CARD

To ensure the validation of the 2-year warranty please complete and return this card within 14 days.

Return this card and you have a chance to win \$200. Check web site at: www.watergenie.com/winner

Name: _____

Address 1: _____

Address 2: _____

City: _____ Prov _____

Postal Code: _____

Tel: _____ Email: _____



Reason for installation:	What type of building:	The purchase was a result of:	Type of product:	Who installed the product:
<input type="checkbox"/> 3-piece Bathroom	<input type="checkbox"/> Detached	<input type="checkbox"/> Advertisement	<input type="checkbox"/> Saniplus	<input type="checkbox"/> Yourself
<input type="checkbox"/> 4-piece Bathroom	<input type="checkbox"/> Semi-Detached	<input type="checkbox"/> Home or Trade Show	<input type="checkbox"/> Sanicompact 48	<input type="checkbox"/> Handyman <input type="checkbox"/> Friend
<input type="checkbox"/> Powder Room	<input type="checkbox"/> Office	<input type="checkbox"/> Neighbour	<input type="checkbox"/> Sanicompact Elite	<input type="checkbox"/> Plumber <input type="checkbox"/> SFA Installer
<input type="checkbox"/> Kitchen / Laundry Sink	<input type="checkbox"/> Cottage	<input type="checkbox"/> Store Display	<input type="checkbox"/> Sanibest <input type="checkbox"/> Sanipump <input type="checkbox"/> Sanishower	Date of purchase
<input type="checkbox"/> Basement Apartment	<input type="checkbox"/> Garage	<input type="checkbox"/> Word of mouth	<input type="checkbox"/> Sanistar	Area you live in: <input type="checkbox"/> rural <input type="checkbox"/> urban
<input type="checkbox"/> Loft			<input type="checkbox"/> Sanipack	
<input type="checkbox"/> Pool House			<input type="checkbox"/> Sanigrind	

_____ **fold here** _____

Saniflo
1-684 Speedvale Avenue
Guelph, ON N1K 1E6

SANIFLO
1-685 SPEEDVALE AVENUE
GUELPH, ON N1K 1E6

Name Owner : _____

Installation Address : _____

Purchased From : _____

Installed By : _____

Date of Purchase: _____ Serial Number: _____

Date of Manufacture: _____ (see manufacturers' tag on unit)

NOTES:

<p style="text-align: center;">CANADA Watergenie 1-685 Speedvale Avenue West Guelph, Ontario N1K 1E6 Phone: 519-824-1134 Fax: 519-824-1143 Email: TECHCA@watergenie.com Web Site: www.watergenie.com</p>	<p style="text-align: center;">USA Watergenie 105 Newfield Avenue, Suite A Edison, NJ 08837 Phone: 732-225-6070 Fax: 732-225-6072 Email: TECHUS@watergenie.com Web Site: www.watergenie.com</p>
--	---